

# MICRO SWITCH

A DIVISION OF MINNEAPOLIS-HONEYWELL REGULATOR COMPANY  
 FREDSON, MINNESOTA  
 FED. MFR CODE 91929

## SWITCH - BASIC

CATALOG LISTING

**BZ-2RW824-A2**

**M BZ-2RW824-A2**

PAGE 1 OF 1

DRAWING NUMBER

ISSUE

9

REPLACES

RELEASE NO

CHECK

CHECK

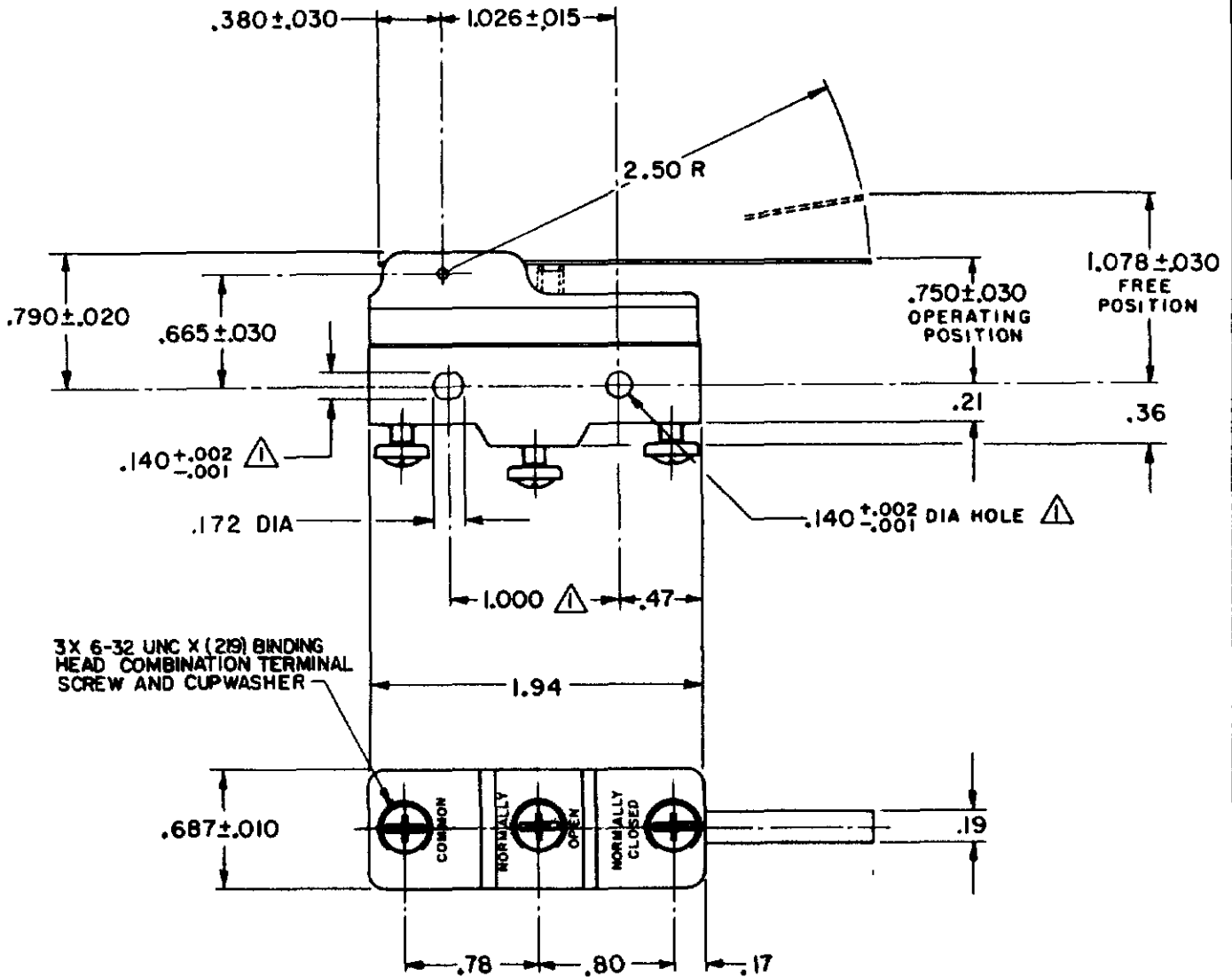
CHECK

CHECK

CHECK

CHECK

CHECK



**NOTE**

- $\Delta$  - MOUNTING HOLES WILL ACCEPT PINS OR SCREWS OF  $.139$  MAX DIA ON  $1.000 \pm .002$  CENTERS
- 2 - SWITCH WILL WITHSTAND TEMPERATURE OF  $250^\circ F$

THIS DRAWING COVERS A PROPRIETARY ITEM AND IS THE PROPERTY OF MICRO SWITCH, A DIVISION OF MINNEAPOLIS-HONEYWELL REGULATOR CO. THIS DRAWING IS NOT TO BE COPIED OR USED WITHOUT THE APPROVAL OF MICRO SWITCH.

**CHARACTERISTICS**

OPERATING FORCE ----- 2 1/2 OZ MAX  
 RELEASE FORCE ----- 1/2 OZ MIN  
 DIFFERENTIAL TRAVEL ----- .007 - .050  
 OVERTRAVEL ----- .219 MIN

**ELECTRICAL DATA**

CONTACT ARRANGEMENT  
 S P D T

UL LISTED-FILE E12252  
 15A-125, 250 OR 480 VAC, 2A-600 VAC  
 1/8 HP-125 VAC; 1/4 HP-250 VAC  
 1/2A-125 VDC; 1/4A-250 VDC

CODE L74  
 L288  
 L299  
 L306

CE D S

16A 250V ~ T85 5E4

**SCALE FULL**

DO NOT SCALE PRINT

UNLESS OTHERWISE SPECIFIED  
 DIMENSIONS ARE IN INCHES

**TOLERANCES ARE:**

ONE PLACE (0)  $\pm .030$   
 TWO PLACE (00)  $\pm .015$   
 THREE PLACE (.000)  $\pm .005$   
 ANGLES  $\pm$

WEIGHT .073 LB

FORMTEK

FO-80378

DRAWN

DRAWN

GCH

30 APRIL 62

GCH

DAW

11 MAY 62

DAW